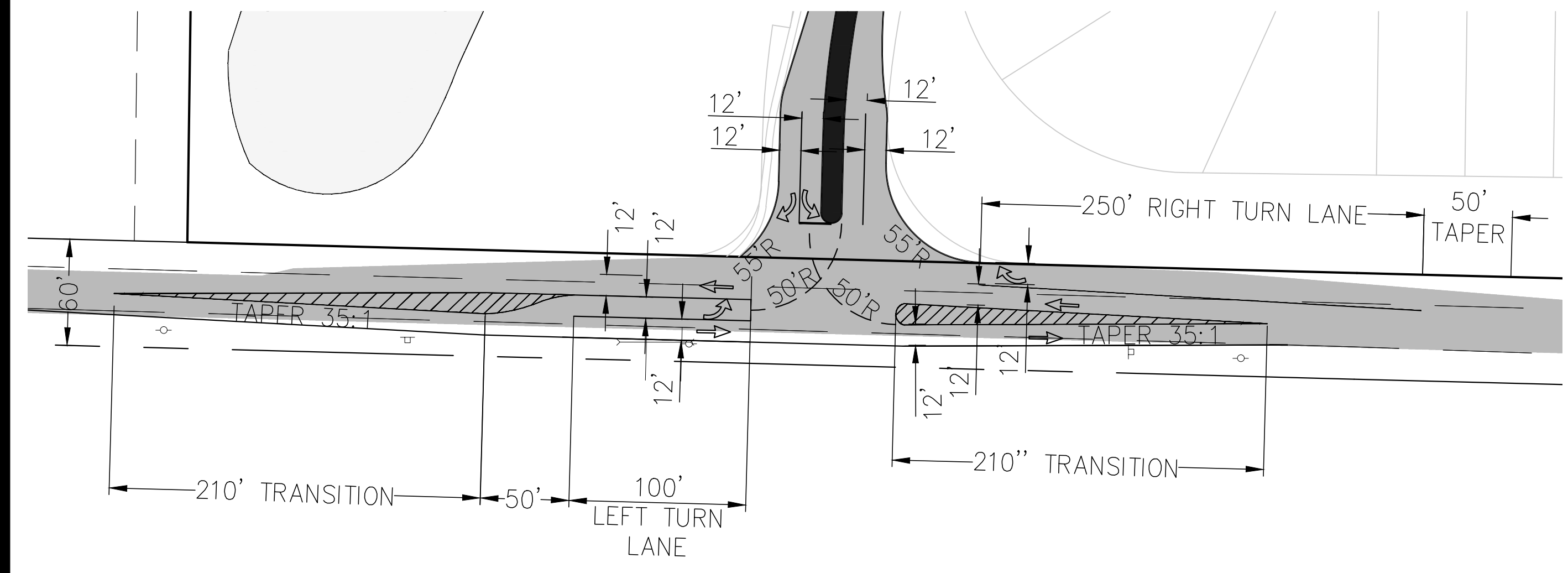


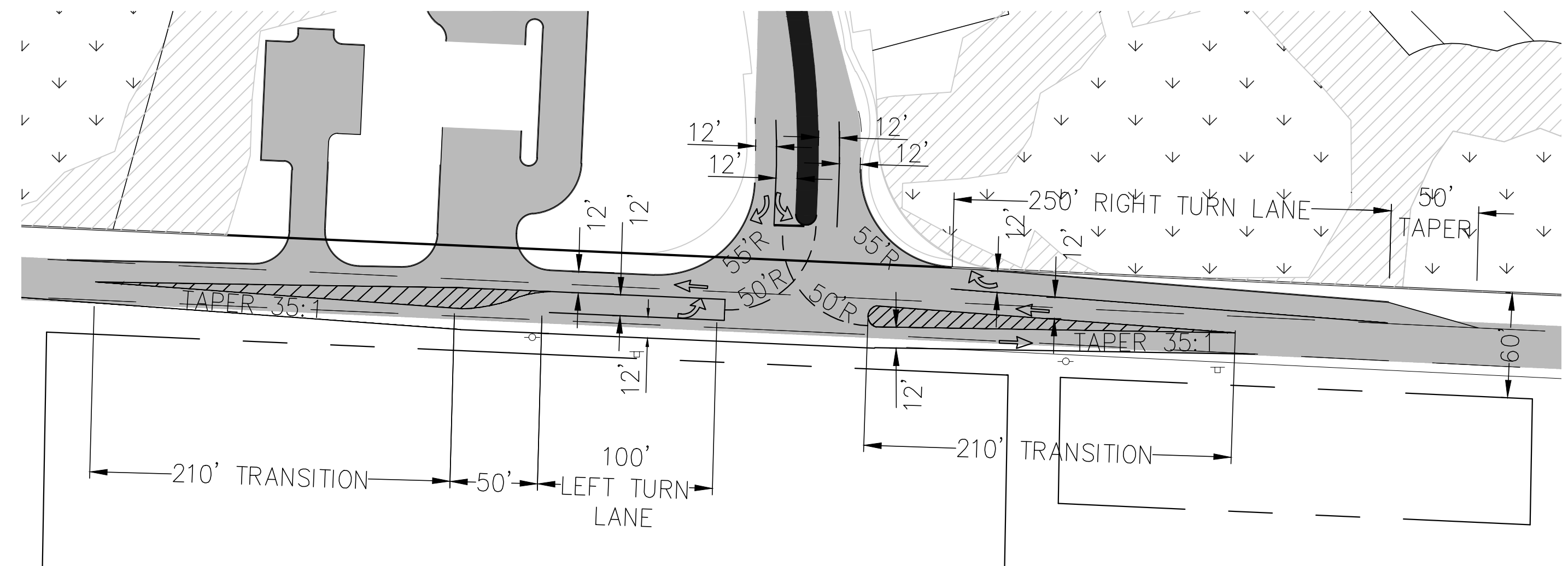
Grandis Pond

ON THE 49TH PARALLEL PLANNED UNIT DEVELOPMENT

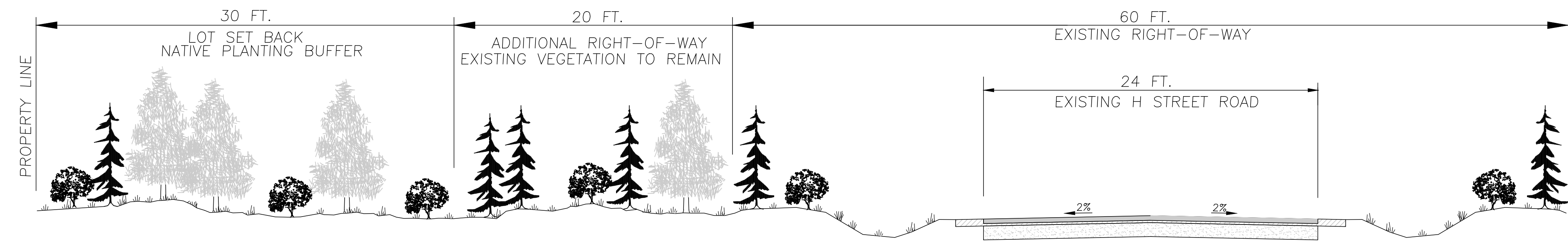
A PORTION OF SECTIONS 33, 34 AND 35,
TOWNSHIP 41 NORTH, RANGE 1 EAST OF WM.
CITY OF BLAINE, WHATCOM COUNTY, WASHINGTON



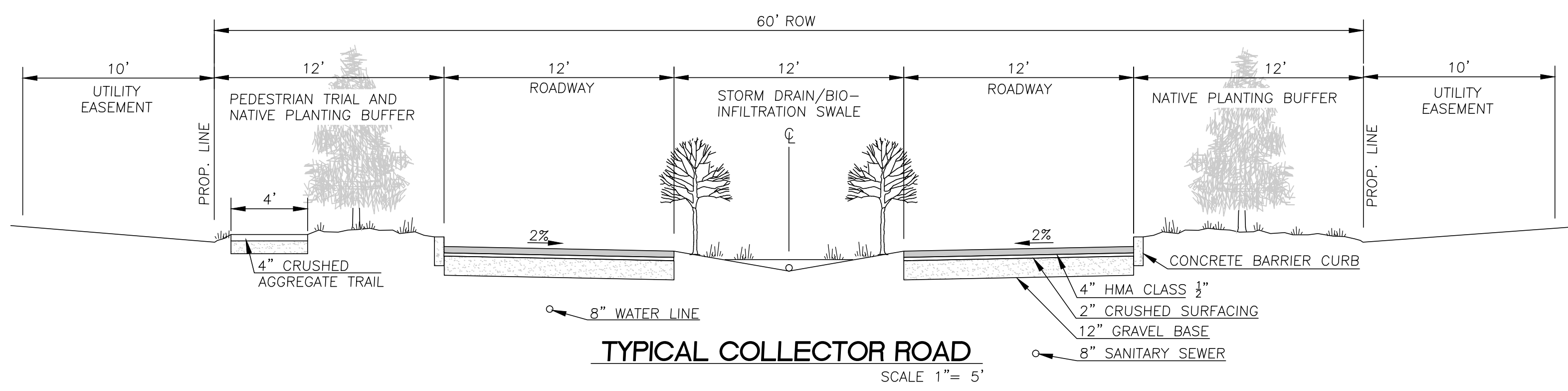
H STREET: WEST ENTRANCE
SCALE 1" = 60'



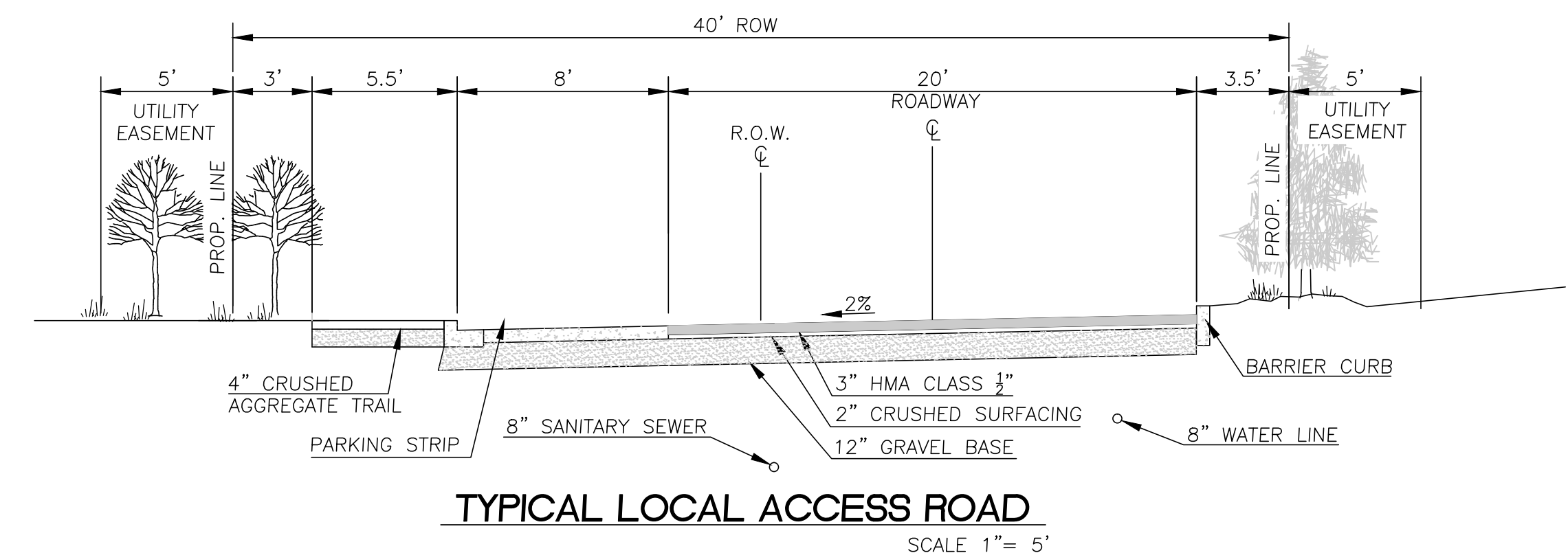
H STREET: EAST ENTRANCE
SCALE 1" = 60'



TYPICAL H STREET ROAD AND LOT SETBACK DETAIL
SCALE 1" = 5'



TYPICAL COLLECTOR ROAD
SCALE 1" = 5'



TYPICAL LOCAL ACCESS ROAD
SCALE 1" = 5'

1. ADD ROAD ROW & EASEMENT DIM. 9-17-10 MJD	NO. REVISIONS:
2. H ST ROAD & SETBACK DETAIL. 11-16-10 MJD	APPR.



CASCADE
ENGINEERING GROUP, P.S., INC.
119 Grand Avenue, Suite D
Bellingham, Washington 98225
(360) 306-8161

Grandis Pond
PLANNED UNIT DEVELOPMENT
"H" STREET INTERSECTION PLAN

PROJECT NUMBER:
BLMT0004
DATE: 04/26/07
DESIGN: MJD
DRAWN: MJO
CHECKED:

SCALE: AS NOTED
SHEET NO.

PD28
OF PD30

P:\P\BLMT0004\DWG\PLAN\H ST ROAD & SETBACK DETAIL.dwg